

ASSEMBLY INSTRUCTIONS

for M59801

Note: Separate and identify parts before assembling. Nail sizes may vary due to availability.

TELESCOPING COVER

- 1 – Masonite 1/4" x 17-5/16" x 21-3/16"
- 2 – Side Rails 3/4" x 2-1/2" x 21-7/8"
- 2 – End Rails 3/4" x 2-1/2" x 18-1/8"
- 1 – Metal Cover Pan 1/2" x 18-1/4" x 22"
- 40 – 3/4" Nails
- 8 – 2-1/4" Nails

1. Assemble Side and End Rails first and secure with two 2-1/4" nails in each corner.
2. Set Masonite Panel in Frame (smooth side down) and secure with five 3/4" nails on each side.
3. Place Metal Cover over Masonite and Rails and secure with 3/4" nails on each side.

(See figure 1 for assembling Telescoping Cover)

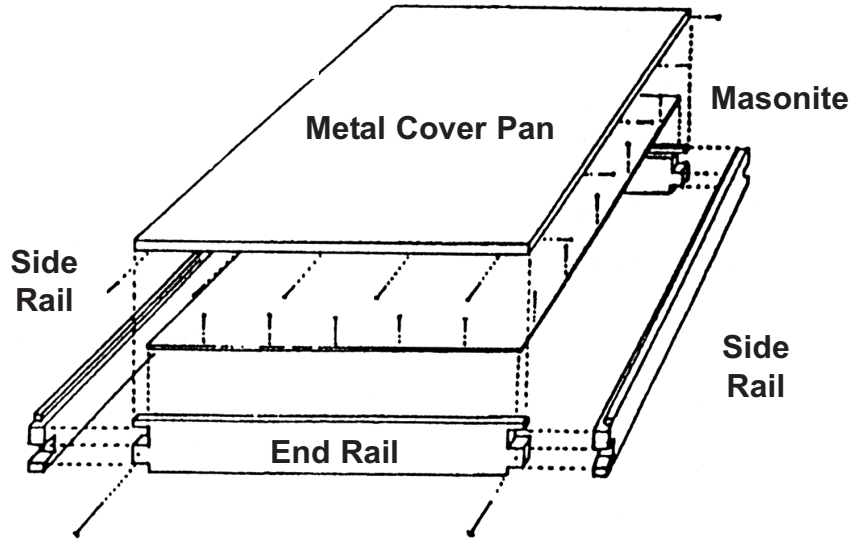


Figure 1

INNER COVER

- 2 – End Cleats 3/4" x 1-1/4" x 16-1/4"
- 2 – Side Cleats 3/4" x 1-1/4" x 19-7/8"
- 1 – Masonite (with hole) 1/8" x 14-11/16" x 18-5/16"
- 8 – 3/4" Nails

1. Assemble Cleats around Masonite Panel
2. Secure each corner using two 3/4" nails

(See figure 2 for assembling Inner Cover)

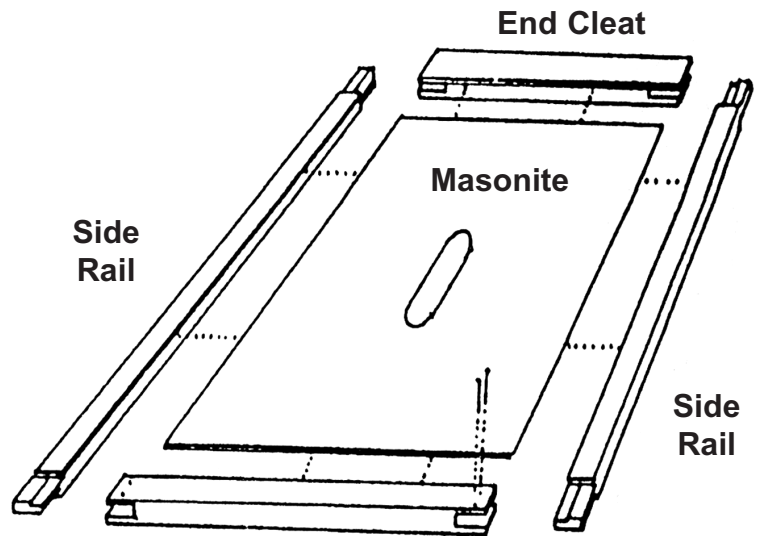
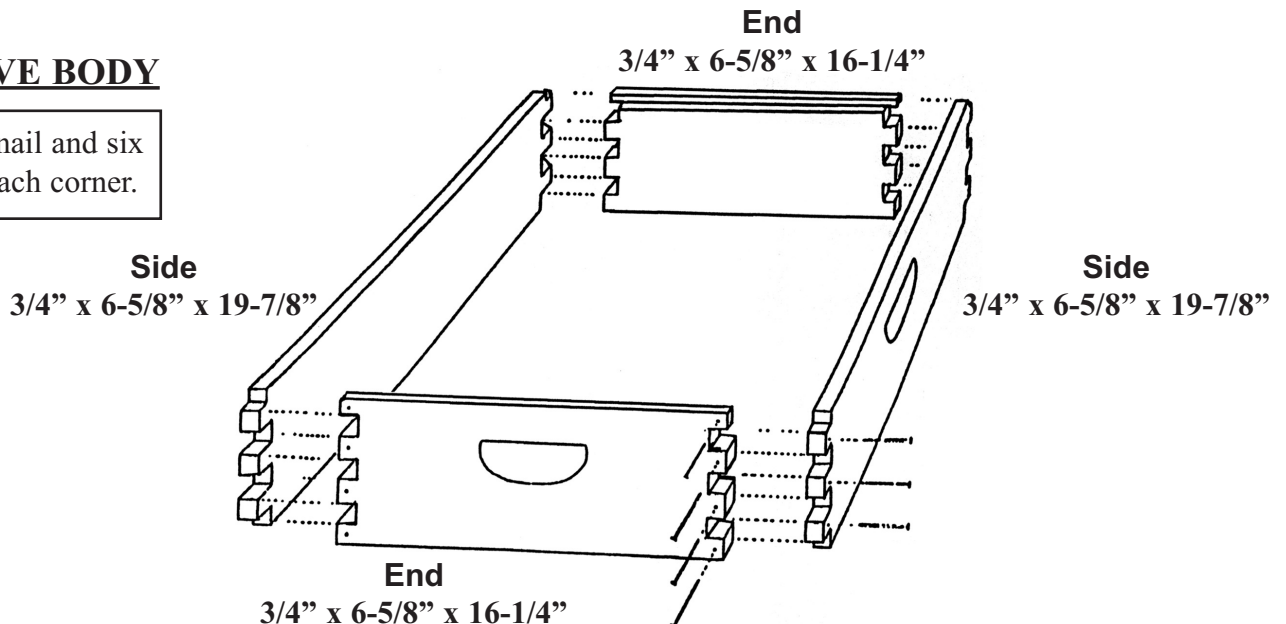


Figure 2

SUPER/HIVE BODY

Use One 4D nail and six 7D nails in each corner.

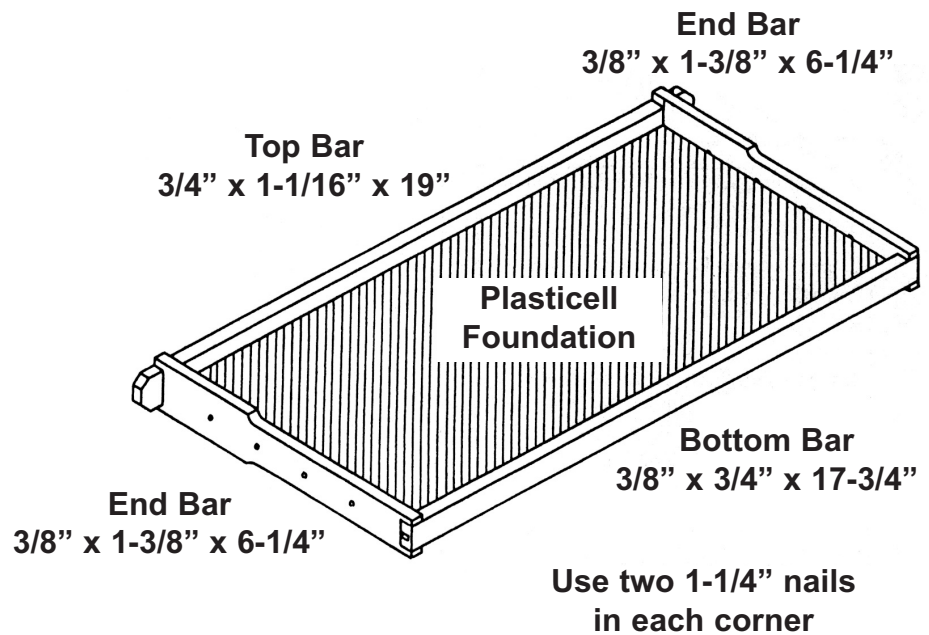


FRAME AND FOUNDATION

ASSEMBLY

- 2 – End Bar 3/8" x 1-3/8" x 6-1/4"
- 1 – Top Bar 3/4" x 1-1/16" x 19"
- 1 – Bottom Bar 3/8" x 11/16" x 17-11/16"
- 1 - Plasticell Foundation
- 8 – 1-1/4" Nails

1. Assemble Frame using two 1-1/4" nails in each corner.
2. Insert Plasticell Foundation into slot in Bottom Bar.
3. Slightly bend Plasticell as you slide it into the GTB.



BOTTOM BOARD

- 1 – Top Cleat 3/4" x 3/4" x 14-11/16"
- 1 – Bottom Cleat 3/8" x 3/4" x 14-11/16"
- 2 – Side Rails 3/4" x 1-15/16" x 22"
- 1 – Bottom Boards 3/4" x 15-3/16" x 22"
- 4 – 1-1/2" Nails
- 16 – 2-1/4" Nails
- 4 – 1" Nails

1. Nail the side rails to the Bottom Boards using the 2-1/4" nails.
2. Nail the Top Cleat to the top of the Bottom Board using the 1-1/2" nails.
3. Nail the Bottom Cleat to the bottom of the Bottom Board using the 1" nails.

(See figure 5 for assembling Bottom Board.)

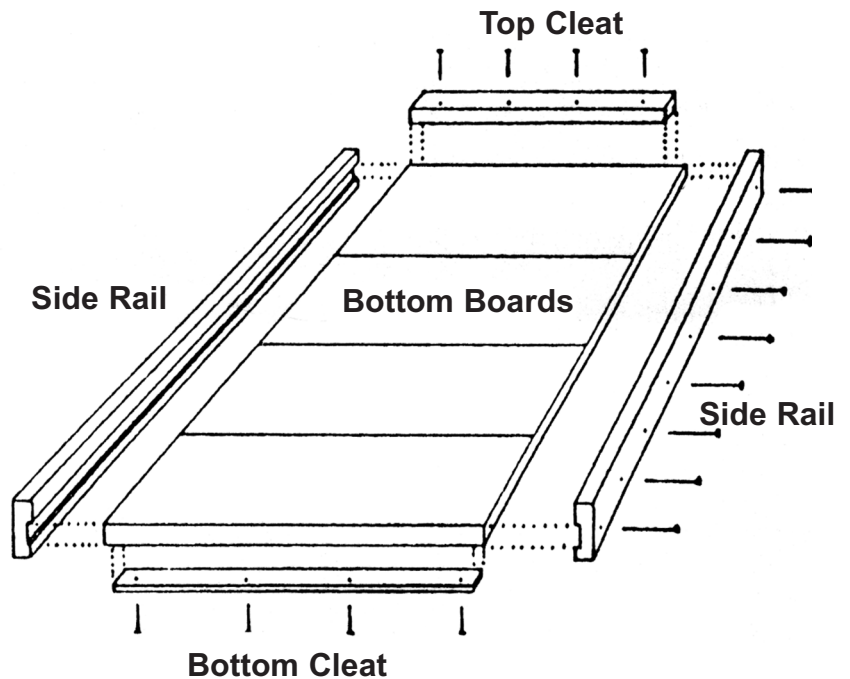


Figure 5

Assemble Smoker to Bellows using the four nuts provided. (See figure 6.)

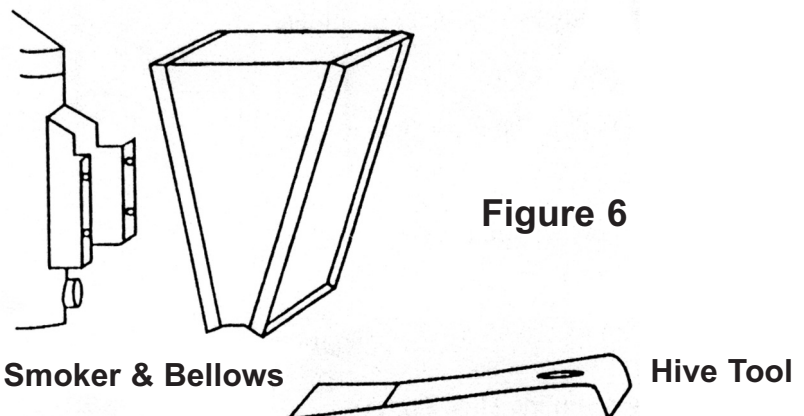


Figure 6